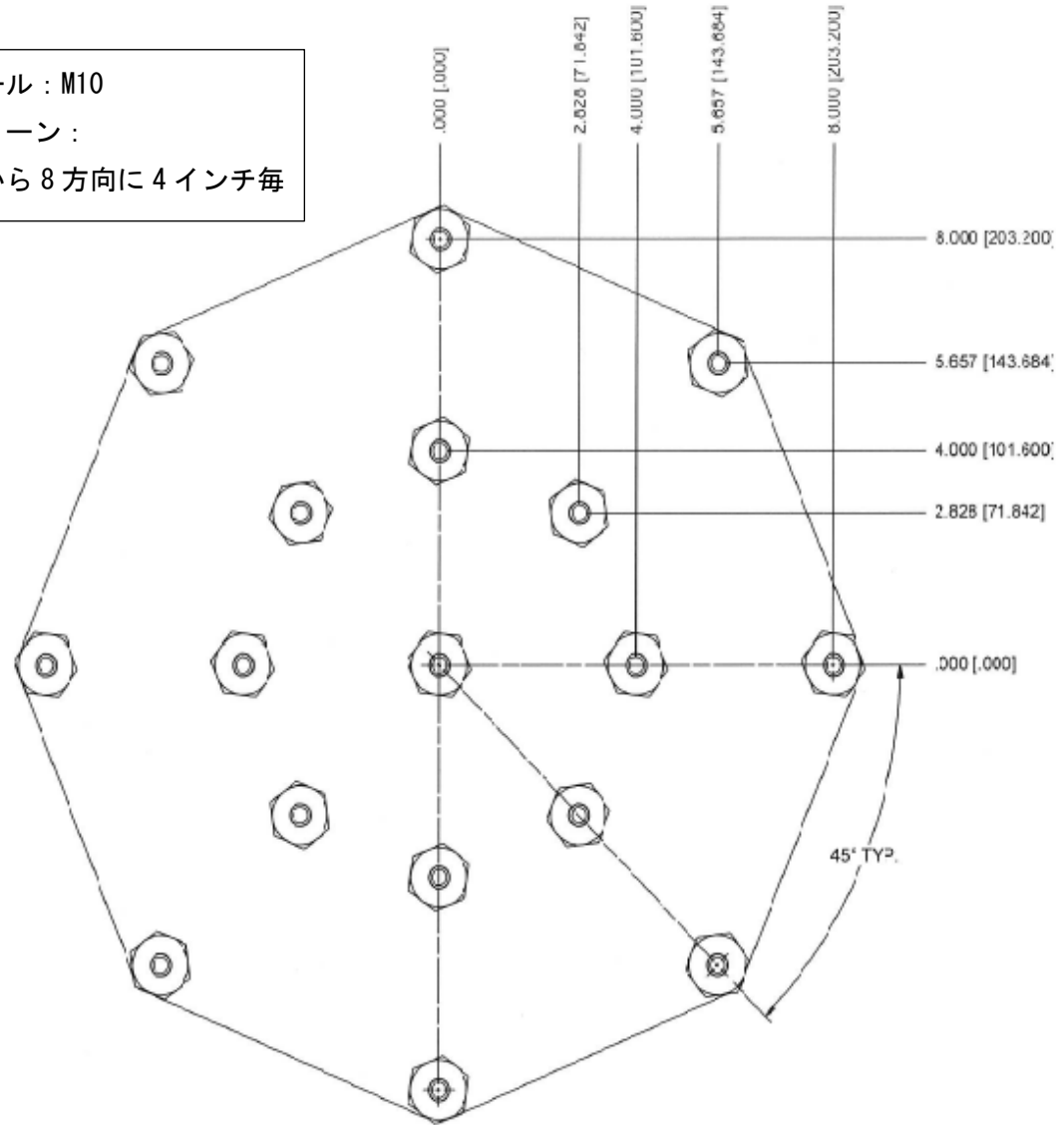
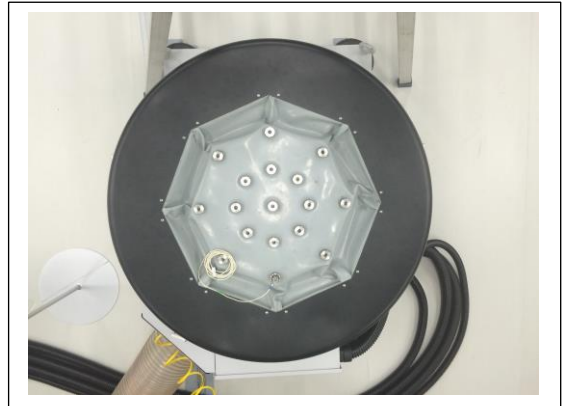
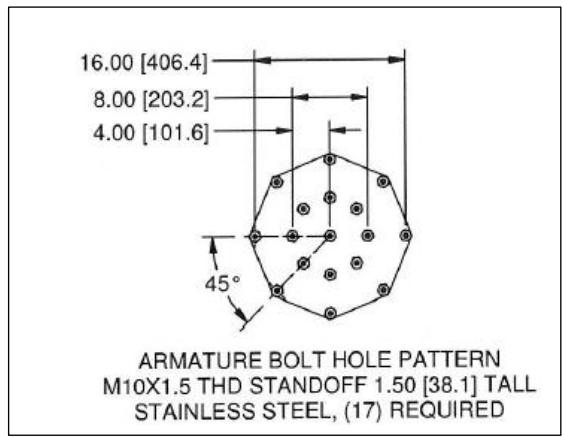


タップホール : M10  
 ホールパターン :  
 センターから 8 方向に 4 インチ毎



REVISION HISTORY			
REV	DESCRIPTION	DATE	BY
A	REDRAWN INVENTOR WAS (A) SIZE	3/21/2008	TMF



NOTE:  
 DIMENSIONS - INCH [mm]

**THERMOTRON**

The system design on this print incorporates proprietary designs and CONFIDENTIAL TRADE SECRETS OF THERMOTRON INDUSTRIES. Access to this information is RESTRICTED. DO NOT use, disclose, publish or copy this information without express authorization.  
 Thermotron Industries, -Oshtemo, Michigan 48821 USA

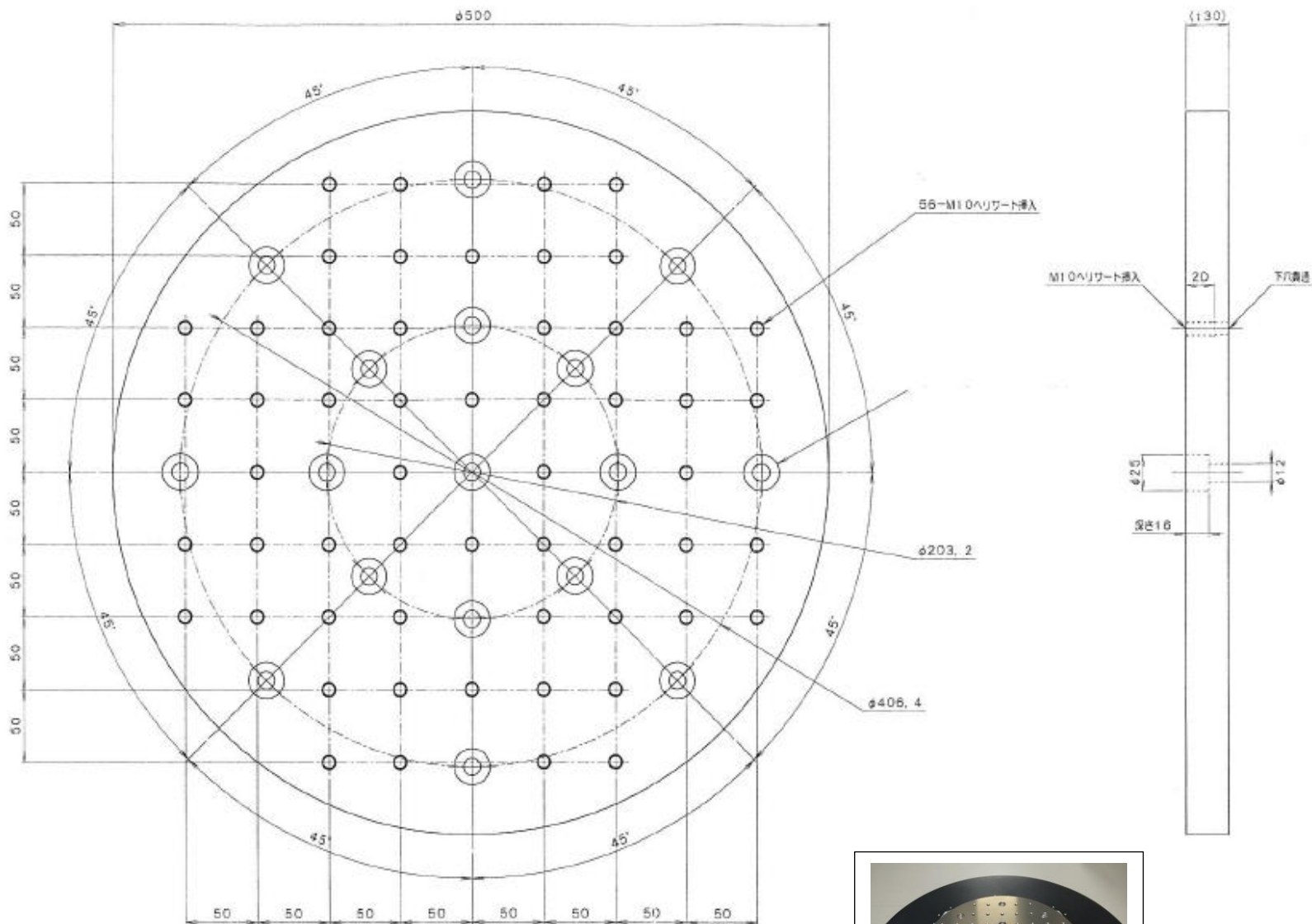
FILENAME: DS3305-12.idw

**NOTES**  
 DO NOT SCALE DRAWING  
 DEBURR ALL SHARP EDGES  
 DIMENSIONS ARE IN INCHES  
 UNLESS NOTED

**TOLERANCE**  
 UNLESS NOTED  
 XX: .02 XXX: .015  
 HOLE DIA: .003  
 ANG: 1.5

BEND ALLOWANCE:  
 MATERIAL:  
 FINISH:  
 DRAWN BY: TMF  
 DESIGNER: JOW  
 DATE: 9/4/2001  
 CHKD: NJB

COMP. NO. 1165738  
 DESCRIPTION  
 ARMATURE STANDOFF PATTERN  
 - 16" ARMATURE STANDARD  
 PATTERN  
 DWG NO. DS3305-12  
 SHEET 1 OF 1  
 REV A B



**変換テーブル**

500 mmφ      タップホール : M10      ホールパターン : 50 mm毎  
 (取り付け穴とかぶるところは使用できません)

